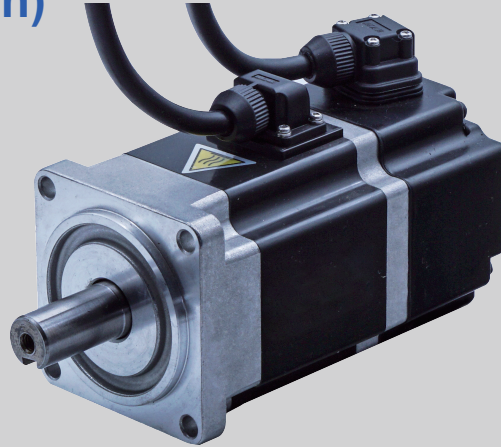


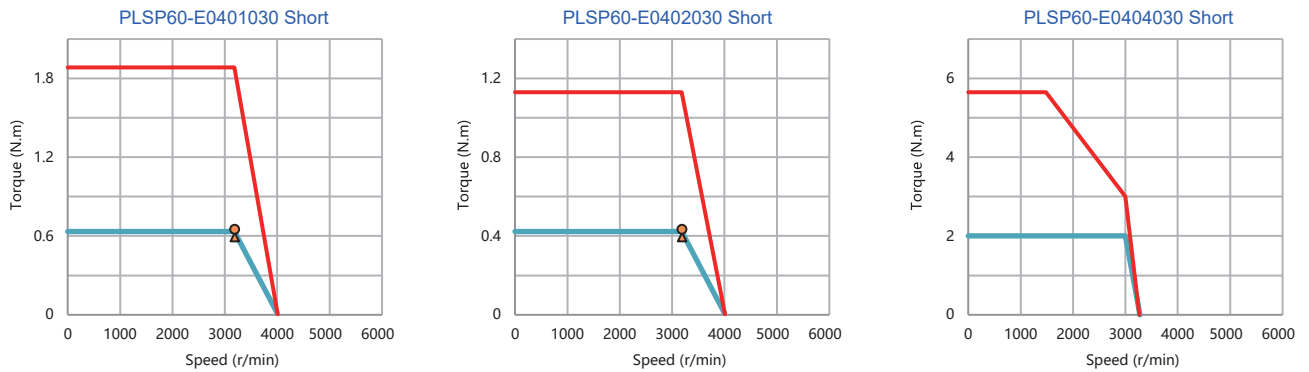
# PLSP60 Low-Voltage Servo Motor (Short Version)



## Specifications

Model	PLSP60-E0401030 Short	PLSP60-E0402030 Short	PLSP60-E0404030 Short													
Rated Voltage(V)	48	48	48													
Rated Power(W)	100	200	400													
Rated Torque(N.m)	0.32	0.64	1.27													
Maximum Torque(N.m)	0.9	1.8	2.6													
Rated Speed(r/min)	3000	3000	3000													
Peak Speed (Rpm)	5000	5000	5000													
Rated Current (A)	3.2	6	13													
Rotor Inertia (Kg.m <sup>2</sup> x10 <sup>-4</sup> )	0.102	0.183	0.347													
Torque Coefficient(N.m/A)	0.1	0.1	0.09													
Electrical Time Constant (MS)	2.4	2.73	3.5													
Line Resistance (Ω)	0.76	0.42	0.23													
Line Inductance (MH)	1.83	1.15	0.81													
Line Back EMF Constant (V/krpm)	6.5	6.9	7.8													
Weight(kg)	0.7	1.1	1.6													
Number of Pole Pairs	4 (5 Pairs Of Poles Are Optional)															
Encoder Resolution (Ω)	2500CPR(Absolute encoder available)															
Insulation Class	Class F															
Protection Class	IP65 (IP67 Optional)															
Environment	Ambient Temperature:-20-50°C/Ambient Humidity~90%(No Frosting Condition)															
Winding Socket	Winding Wire	U		V		W		PE								
	Socket Number	1		2		3		4								
Encoder Socket (Absolute Type)	Signal Pin Definition	PE	5V	0V	SD+	SD-	VB+	VB-								
	Male Pin Number	1	2	3	4	5	6	7								
Encoder Socket (Incremental Type)	Signal Pin Definition	Shield	5V	0V	B+	Z-	U+	Z+	U-	A+	V+	W+	V-	A-	B-	W-
	Male Pin Number	1	2	3	4	5	6	7	8	9	10	11	12	13	14	15

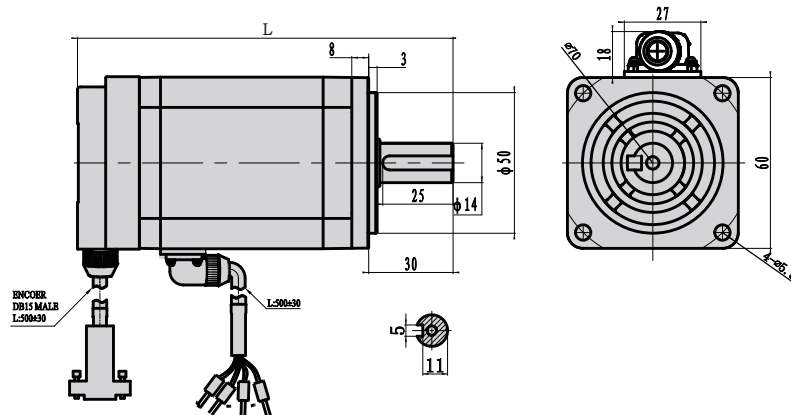
## Characteristic Curve



## Dimensions

Motor Length	100W	200W	400W
L Without Brake (mm)	105.5	116.5	133.5
L With Brake (mm)	145.5	156.5	173.5

### Without Brake



### With Brake

